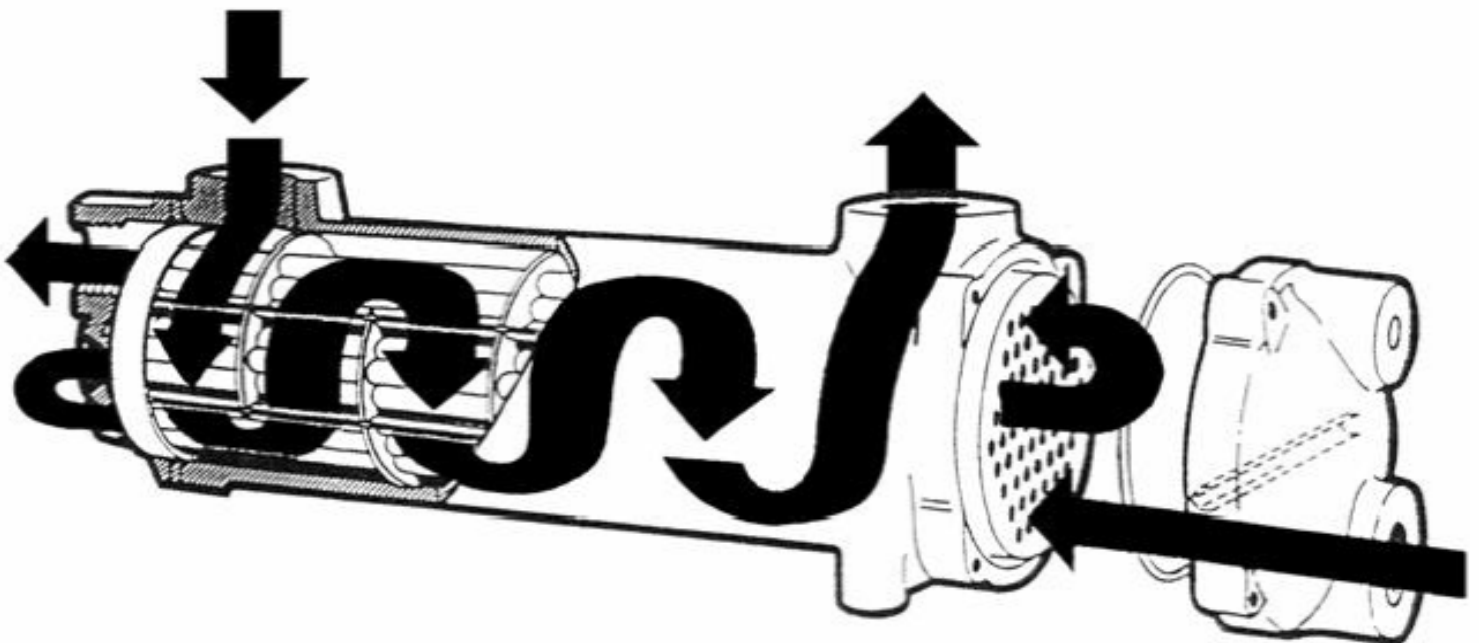


Shell & Tube Heat Exchanger



Industri



✓ Hydraulic System

*Hydraulic Presses
Hydraulic Power Pack
CNC Machine*



✓ Industrial

*Plastic Injection Moulding
Compactors
Casting Machines
Lube Oil Cooler*



✓ Construction

*Excavator, Loader, Roller,
Concrete Mixer, Backhoe
Concrete Pump,
Crane, Drilling Machine*



✓ Agriculture

*Tractor
Forestry Machinery
Harvesters*



✓ Oil & Gas

*Hydraulic Pumping Unit
Lube Oil Cooler
Pump Cooler*



✓ Power Generation

*Gearbox Cooler
Transformer Cooler
Generator Oil Cooler*



✓ Mining

*Conveyor Belt Cooler
Mining Truck Cooler*



✓ Train

*Locomotive Traction System
Transformer Cooling System
Manifold Air Cooler*



✓ Compressor

*Oil Cooler
Intercooler/ Aftercooler*

Tipe Produk

UNIEX

UniEx adalah unit penukar panas model Shell & Tube, dengan fixed tube bundle. Model standar kami di segmentasi menjadi ukuran standar dengan permukaan pertukaran panas dari 0.45 m² hingga 5 m². Tersedia dengan versi 1-pass, 2-pass & 3-pass

Kami juga mampu meng-custom made unit sesuai dengan spesifikasi dan kebutuhan customer.

Product Features

- Fixed tube bundle
- High Density Tubestack = Higher Surface Area
Dengan ukuran keseluruhan yang sama, performa unit kami lebih tinggi vs unit lain
- Sambungan Oli ukuran besar untuk mengurangi pressure drop
- Disipasi panas hingga 150 kW
- End Caps yang dapat dilepas untuk memungkinkan pembersihan tube
- Max. Tekanan:

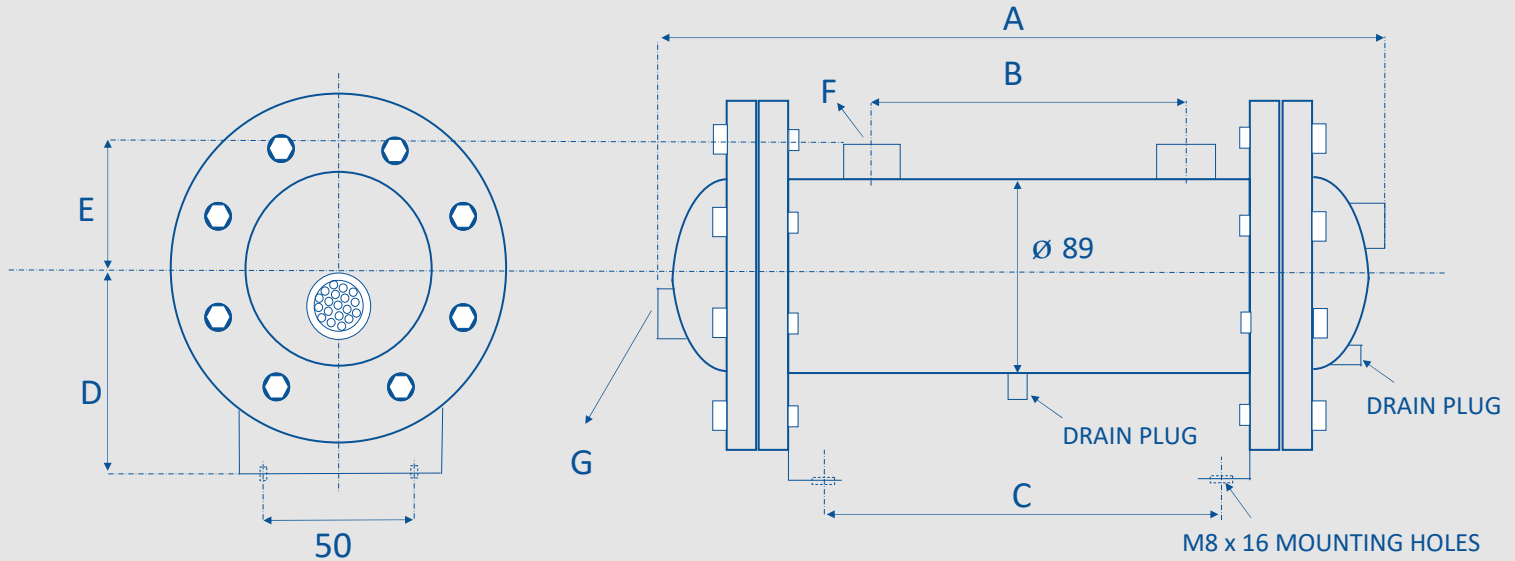
| | | |
|---------------------------|---|--------|
| Sisi Shell (Oli) | - | 10 Bar |
| Sisi Tube (Air Pendingin) | - | 8 Bar |

Spesifikasi Material

| | | |
|---------------------------|-----------------------|---------------|
| Tubes | Copper | Tembaga |
| Tubeplates | Mild Steel | Besi |
| Shell | Seamless Carbon Steel | Besi Seamless |
| Mounting Bracket | Steel | Besi |
| Headers / End Caps | Mild Steel | Besi |
| Gaskets | Non-Asbestos | Non-Asbestos |

Juga tersedia dalam material lain, hubungi kami untuk info lebih lanjut.

3000 Series



1/4 Inch Tube

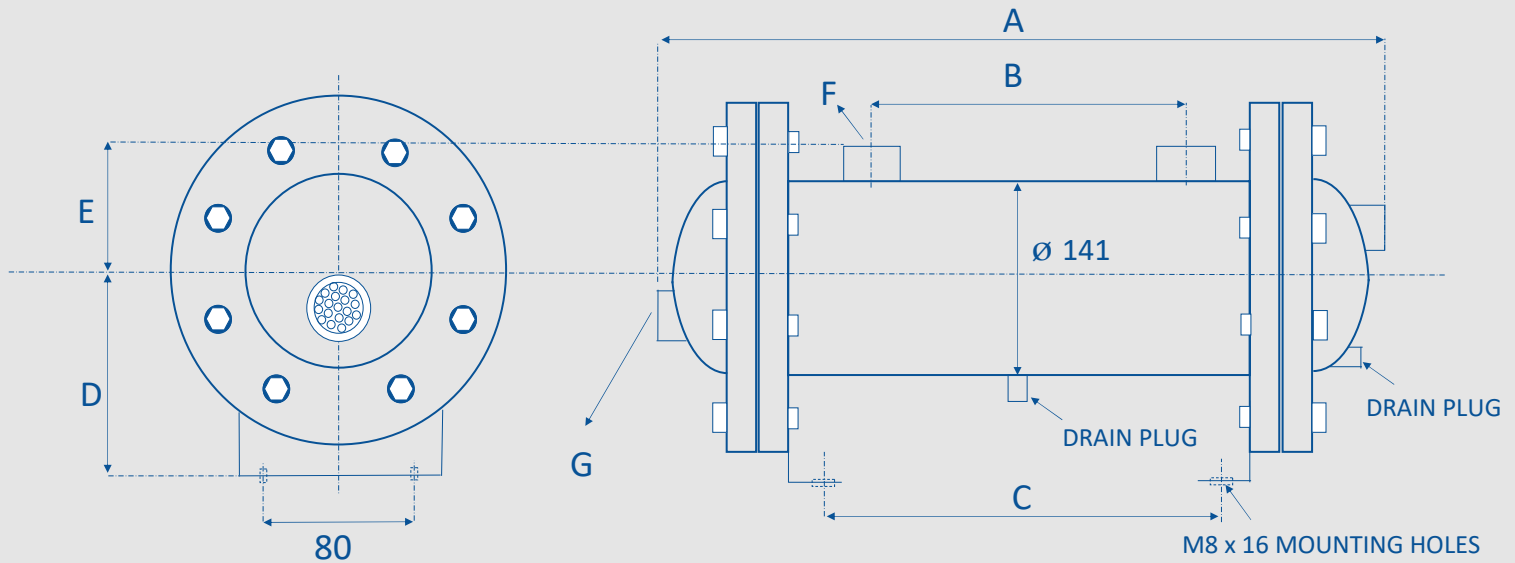
| TYPE | A (mm) | B (mm) | C (mm) | D (mm) | E (mm) | F (BSP) | G (BSP) | Surface Area (m ²) |
|------|--------|--------|--------|--------|--------|---------|---------|--------------------------------|
| 3220 | 260 | 80 | 30 | 79 | 75 | 3/4" | 1" | 0.08 |
| 3320 | 350 | 170 | 120 | 79 | 75 | 3/4" | 1" | 0.17 |
| 3420 | 450 | 270 | 220 | 79 | 75 | 3/4" | 1" | 0.28 |
| 3520 | 570 | 360 | 340 | 79 | 75 | 1" | 1" | 0.42 |
| 3620 | 720 | 510 | 490 | 79 | 75 | 1" | 1" | 0.58 |
| 3720 | 900 | 680 | 670 | 79 | 75 | 1 1/4" | 1" | 0.78 |
| 3820 | 1100 | 880 | 870 | 79 | 75 | 1 1/4" | 1" | 1.00 |
| 3920 | 1280 | 1060 | 1050 | 79 | 75 | 1 1/4" | 1" | 1.20 |

Product Features

- Fixed tube bundle
- High Density Tubestack = Higher Surface Area
Dengan ukuran keseluruhan yang sama, performa unit kami lebih tinggi vs unit lain
- Sambungan Oli ukuran besar untuk mengurangi pressure drop
- End Caps yang dapat dilepas untuk memungkinkan pembersihan tube
- Max. Tekanan:

| | | |
|---------------------------|---|--------|
| Sisi Shell (Oli) | - | 10 Bar |
| Sisi Tube (Air Pendingin) | - | 8 Bar |

5000 Series



3/8 Inch Tube

| TYPE | A (mm) | B (mm) | C (mm) | D (mm) | E (mm) | F (BSP) | G (BSP) | Surface Area (m ²) |
|------|--------|--------|--------|--------|--------|---------|---------|--------------------------------|
| 5240 | 480 | 160 | 160 | 130 | 120 | 1 1/4" | 1" | 0.53 |
| 5340 | 600 | 300 | 280 | 130 | 120 | 1 1/4" | 1" | 0.81 |
| 5440 | 710 | 380 | 390 | 130 | 120 | 1 1/4" | 1 1/4" | 1.07 |
| 5540 | 820 | 480 | 500 | 130 | 120 | 1 1/4" | 1 1/4" | 1.34 |
| 5640 | 950 | 610 | 630 | 130 | 120 | 1 1/2" | 1 1/2" | 1.66 |
| 5740 | 1130 | 790 | 810 | 130 | 120 | 1 1/2" | 1 1/2" | 2.10 |
| 5840 | 1380 | 1040 | 1060 | 130 | 120 | 2" | 2" | 2.70 |
| 5940 | 1730 | 1390 | 1410 | 130 | 120 | 2" | 2" | 3.56 |

1/4 Inch Tube

| TYPE | A (mm) | B (mm) | C (mm) | D (mm) | E (mm) | F (BSP) | G (BSP) | Surface Area (m ²) |
|------|--------|--------|--------|--------|--------|---------|---------|--------------------------------|
| 5220 | 480 | 160 | 160 | 130 | 120 | 1 1/4" | 1" | 0.68 |
| 5320 | 600 | 300 | 280 | 130 | 120 | 1 1/4" | 1" | 1.05 |
| 5420 | 710 | 380 | 390 | 130 | 120 | 1 1/4" | 1 1/4" | 1.39 |
| 5520 | 820 | 480 | 500 | 130 | 120 | 1 1/4" | 1 1/4" | 1.74 |
| 5620 | 950 | 610 | 630 | 130 | 120 | 1 1/2" | 1 1/2" | 21.15 |
| 5720 | 1130 | 790 | 810 | 130 | 120 | 1 1/2" | 1 1/2" | 2.72 |
| 5820 | 1380 | 1040 | 1060 | 130 | 120 | 2" | 2" | 3.51 |
| 5920 | 1730 | 1390 | 1410 | 130 | 120 | 2" | 2" | 4.57 |

Product Features

- Fixed tube bundle
- High Density Tubestack = Higher Surface Area
Dengan ukuran keseluruhan yang sama, performa unit kami lebih tinggi vs unit lain
- Sambungan Oli ukuran besar untuk mengurangi pressure drop
- End Caps yang dapat dilepas untuk memungkinkan pembersihan tube
- Max. Tekanan:

| | | |
|---------------------------|---|--------|
| Sisi Shell (Oli) | - | 10 Bar |
| Sisi Tube (Air Pendingin) | - | 8 Bar |

Performa

Tabel berikut ini memberikan contoh performa unit pada parameter berikut:

- Jenis Oli VG37
- Inlet Temperature Oli 60 Deg C
- Inlet Temperature Air 20 Deg C
- Cooler dalam konfigurasi 3 Pass

Tabel di bawah hanya untuk gambaran pemilihan unit.

Jika anda memerlukan bantuan untuk pemilihan unit, mohon hubungi kami.

| TYPE | Heat Dissipated kW | Oil Flow Litre/Min | Oil Pressure Drop kPa | Water Flow Litre/Min | Head Loss kPa | Surface Area (m ²) |
|------|--------------------|--------------------|-----------------------|----------------------|---------------|--------------------------------|
| 3220 | 2.5 | 50 | 15 | 25 | 6 | 0.08 |
| 3320 | 5.0 | 65 | 30 | 25 | 8 | 0.17 |
| 3420 | 10.0 | 80 | 50 | 30 | 15 | 0.28 |
| 3520 | 13.0 | 100 | 50 | 30 | 20 | 0.42 |
| 3620 | 18.0 | 100 | 60 | 35 | 25 | 0.58 |
| 3720 | 26.0 | 120 | 100 | 35 | 40 | 0.78 |
| 3820 | 31.0 | 150 | 120 | 40 | 50 | 1.00 |
| 3920 | 38.0 | 200 | 170 | 40 | 50 | 1.20 |
| 5240 | 13.0 | 100 | 20 | 50 | 5 | 0.53 |
| 5340 | 19.0 | 100 | 40 | 50 | 10 | 0.81 |
| 5440 | 33.0 | 150 | 75 | 100 | 10 | 1.07 |
| 5540 | 43.0 | 200 | 100 | 100 | 15 | 1.34 |
| 5640 | 53.0 | 250 | 120 | 100 | 20 | 1.66 |
| 5740 | 66.5 | 275 | 130 | 150 | 30 | 2.10 |
| 5840 | 84.0 | 300 | 180 | 150 | 30 | 2.70 |
| 5940 | 102.0 | 350 | 200 | 150 | 50 | 3.50 |
| 5220 | 20.0 | 100 | 35 | 50 | 6 | 0.68 |
| 5320 | 27.0 | 100 | 50 | 50 | 10 | 1.05 |
| 5420 | 48.0 | 150 | 120 | 100 | 25 | 1.39 |
| 5520 | 62.0 | 200 | 160 | 100 | 30 | 1.74 |
| 5620 | 76.0 | 250 | 180 | 100 | 30 | 2.15 |
| 5720 | 88.0 | 275 | 180 | 150 | 40 | 2.72 |
| 5820 | 118.0 | 300 | 250 | 150 | 80 | 3.51 |
| 5920 | 141.0 | 350 | 270 | 150 | 100 | 4.57 |

Oil pressure drop correction factor/ oil viscosity (cSt)

| cSt | 10 | 15 | 20 | 25 | 30 | 40 | 50 | 75 | 100 | 150 | 200 | 300 |
|------|-----|-----|-----|-----|-----|-----|-----|-----|-----|-----|-----|-----|
| c.f. | 0,7 | 0,9 | 1,0 | 1,1 | 1,3 | 1,5 | 1,7 | 2,2 | 2,7 | 3,6 | 4,5 | 6,3 |

Untuk oli dengan viskositas lain, sesuaikan pressure drop di table dikalikan dengan correction factor di atas.

CONTACT US

PT. UNICO HEX INDONESIA

NPWP: 94.712.491.3-075.000

Office:

JL. Lautze No. 50
Jakarta Pusat 10710
Indonesia
E: sales@unicohex.com
M/ WA: 0859 5665 3388
T: (021) 385 8708 | 384 9135 | 381 2980

Workshop (By appointment):

JL. Arya Kemuning RT003 RW003
Periuk Jaya, Tangerang 15131
Banten
Indonesia



Quality & Reliability

Kami merancang unit kami untuk memenuhi proses yang paling menuntut. Semua unit kami didukung oleh garansi terbatas 1 tahun.



Innovation

Kami menyediakan solusi pembuangan panas, pendinginan & pemanasan proses fluid di beragam industry.



Local & International

Terlepas dari asal peralatan/ mesin, kami mampu menyediakan solusi OEM atau non-OEM untuk aplikasi user.